

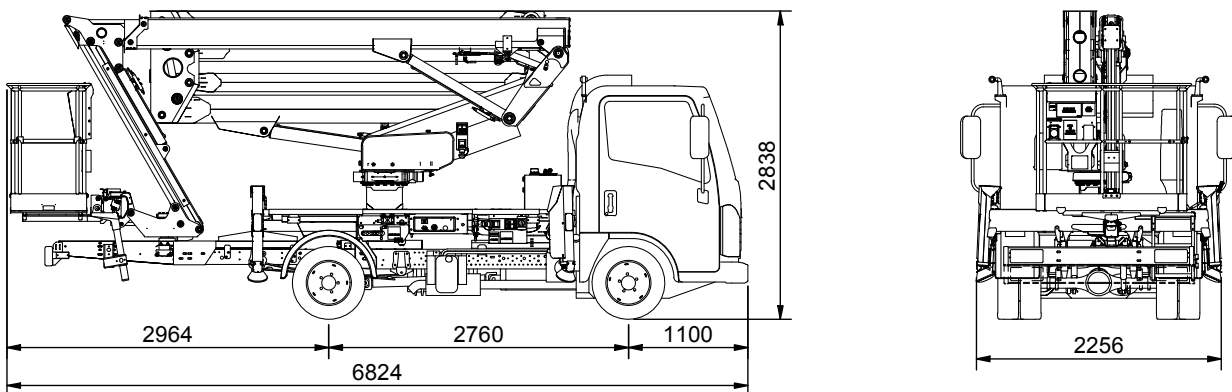
SPECIFICATION

CTEZED 21.3 JHV ISUZU

TECHNICAL DATA

- Double pantograph + telescopic boom with single extension + jib
- Sigma boom movement enabled by connecting rods
- $\pm 320^\circ$ turret rotation
- Smooth proportional simultaneous controls with acceleration and deceleration ramps
- Engine start and stop controls from basket and ground
- Automatic engine rpm management
- Anti-slip aluminium deck
- Basket in aluminium 1400x700x1100 mm
- $90^\circ + 90^\circ$ hydraulic basket rotation
- Automatic hydraulically actioned basket levelling
- 4 hydraulic outriggers with ground pressure sensors: front variable jacking outriggers and rear straight down stabilizers
- Variable stabilisation managed by S³ EVO
- CAN BUS electronic management system
- New controls from the ground and in the basket with graphics display providing diagnostic information and LED visual
- Load cell
- Hydraulic system operated by vehicle's PTO
- Buzzer indicating PTO engaged
- Hour meter
- 230 V AC in the basket
- EN 280:2015 CE certified
- Standard boom colours blue (RAL 5017) and white (RAL 9003)

DIMENSIONS



SPECIFICATION

CTEZED 21.3 JHV ISUZU



21 m*



10 m*



300 kg



19 m*



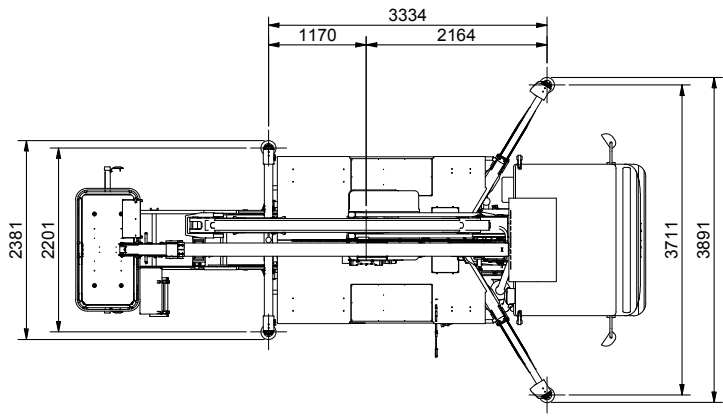
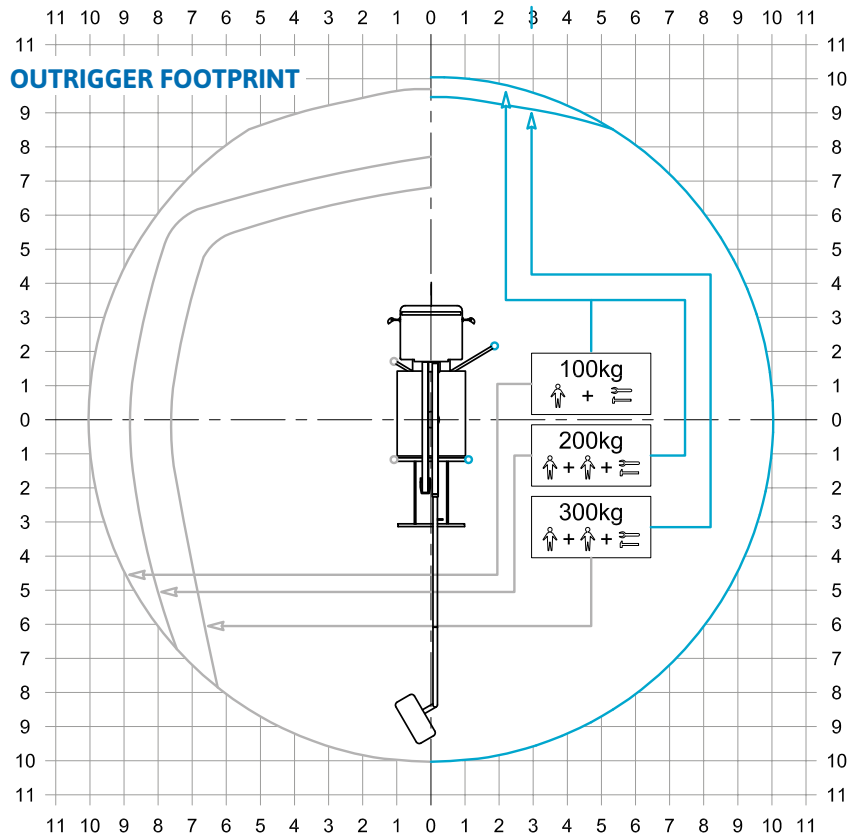
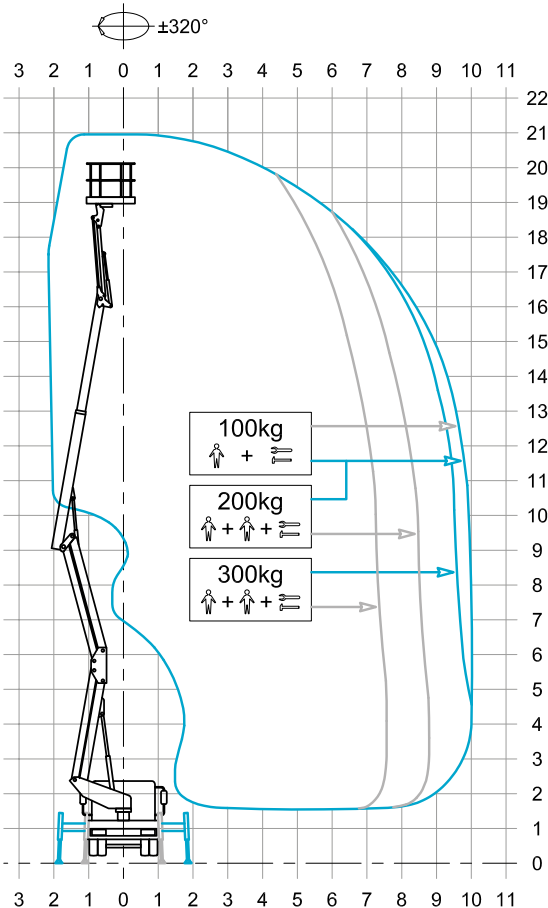
1400x700x1100 mm

GVW min

3,5 t

* outreach and height max values and repeatability can change within $\pm 3\%$ due to manufacturing variation and working condition.

WORKING ENVELOPE



Product specifications are subject to change without notice or obligation. Technical features and drawings in this brochure are for illustrative purposes only. _ZED21.3 JHV ISUZU - ed. 10/21



CTE S.p.A.
 Headquarter 7 Via Caproni - Rovereto (TN) IT, 38068
 Ph. +39 0464 48.50.50 - Fax +39 0464 48.50.99
 info@ctelift.com - www.ctelift.com
 Factory 5 Loc. Terramatta - Rivoli Veronese (VR) IT, 37010
 CTE UK Ltd Enderby Leicestershire - UK

